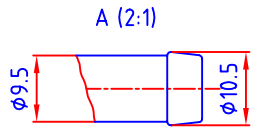
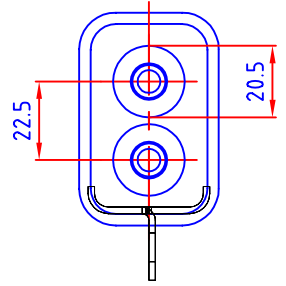
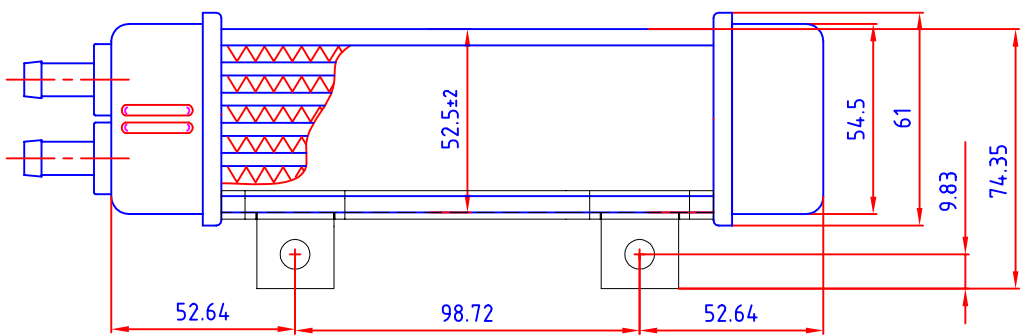
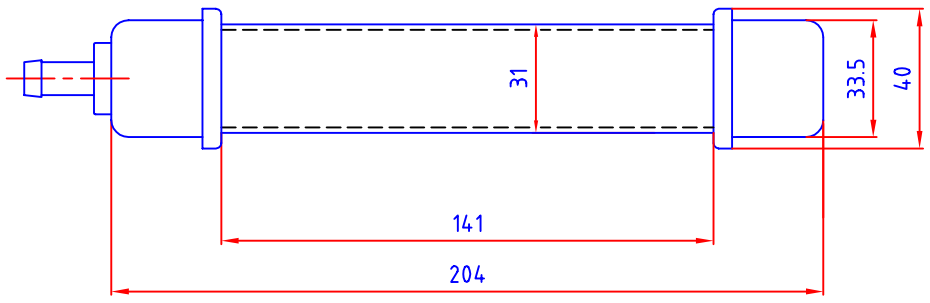


3050



TOLERANCE CLASS: ISO 2768-v
 PERMISSIBLE DEVIATIONS FOR LINEAR DIMENSIONS EXCEPT FOR BROKEN EDGES. (mm)

0.5 up to 3	over 3 up to 6	over 6 up to 30	over 30 up to 120	over 120 up to 400	over 400 up to 1000
-	±0.5	±1	±1.5	±2.5	±4

WEIGHT	FINISH	C/4									
VOLUME	DRAWN	DATE/SIGN						Al			
WORKING PRESSURE	073107	MCB		POS NO	QTY	DESIGNATION	MATERIAL	DIMENSION	REMARKS		
MAX PRESSURE	10 bar		APPROVAL		DATE/SIGN		ALL MEASUREMENTS REFER TO UNPAINTED OBJECT		TOLERANCES WHERE NOT SPECIFIED		
TEST PRESSURE	4 bar		ENGINEER				DESIGNATION		14 ISLM-6 P03/8 2P		ISO2768-v
BURST PRESSURE			QUALITY				PROD		OILCOOLER		SCALE
TEST ACC TO	powdercoated		LOGISTICS				CUSTOMER		JAGG		REPLACES
PAIN			CONNECTION MAX TIGHTENING TORQUE				DRAWING NO		3050		ISSUE
COUNTERACTING SPANNER MUST BE USED WHEN TIGHTENING CONNECTIONS											
 278 Greenacres Court, Johnson, OH 43031 Tel: (714)967-1225 Fax: (714)967-1249											