



Assembly Instructions: S&S Pushrod Cover Kits & Pushrod Cover Seal Kits for 1936–2018 Harley-Davidson® & S&S Engines

Refer to the diagram to determine the correct positions for pushrod cover components, and the correct type of seals for various engine styles. Note that depending on the kit you have purchased, not all the components may be included. In these cases it is expected that stock components will be reused. In addition, not all applications will use all components shown.

1. Top pushrod seal

- Harley-Davidson® knucklehead and S&S KN-Series engines – this is a square o-ring. Same seal in all three positions.
- Harley Davidson® panhead, shovel, Evolution® and Twin Cam 88° 96™ and 103™, Milwaukee_Eight®, and S&S P, SH, V, and T-Series engines – the thickest o-ring of the three provided in the kit

2. Top Pushrod cover

3. Pushrod cover keeper

4. Cover cap - not included in some kits. Use stock part.

5. Cover cap spring - not included in some kits. Use stock part.

6. Cover cap washer - not included in some kits. Use stock part.

7. Middle seal

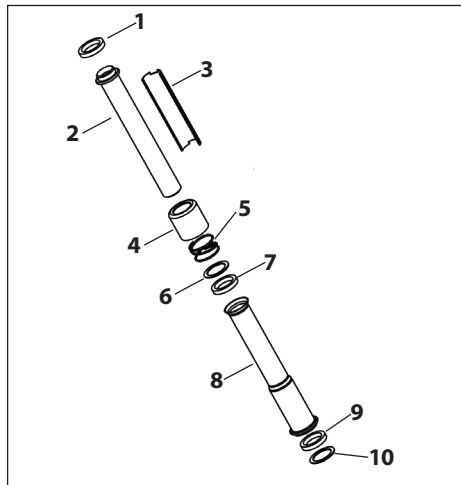
- Harley-Davidson® knucklehead and S&S KN-Series engines – this is a square o-ring. Same seal in all three positions.
- Harley Davidson® panhead, shovel, Harley-Davidson® Evolution® and Twin Cam 88° 96™ and 103™, Milwaukee_Eight® engines and S&S P, SH, V, and T-Series engines – the smaller diameter of the thinner o-rings provided in the kit

8. Lower pushrod cover

9. Lower pushrod seal.

- Harley-Davidson® knucklehead and S&S KN-Series engines – this is a square o-ring. Same seal in all three positions.
- Harley Davidson® panhead, shovel, and S&S P, SH-Series engines – This is a quad seal
- Harley-Davidson® Evolution® and Twin Cam 88° 96™ and 103™, Milwaukee-Eight® engines, and S&S V, and T-Series engines – the larger diameter of the thinner o-rings provided in the kit

10. Bottom cover washer – All Harley Davidson® Evolution® big twins and S&S V-Series engines, 1986-'90 Sportster® models, and all S&S SB-Series engines. (may not be included in S&S pushrod cover kit)



Assembly Instructions: S&S Pushrod Cover Kits & Pushrod Cover Seal Kits for 1936–2018 Harley-Davidson® & S&S Engines

Refer to the diagram to determine the correct positions for pushrod cover components, and the correct type of seals for various engine styles. Note that depending on the kit you have purchased, not all the components may be included. In these cases it is expected that stock components will be reused. In addition, not all applications will use all components shown.

1. Top pushrod seal

- Harley-Davidson® knucklehead and S&S KN-Series engines – this is a square o-ring. Same seal in all three positions.
- Harley Davidson® panhead, shovel, Evolution® and Twin Cam 88° 96™ and 103™, Milwaukee_Eight®, and S&S P, SH, V, and T-Series engines – the thickest o-ring of the three provided in the kit

2. Top Pushrod cover

3. Pushrod cover keeper

4. Cover cap - not included in some kits. Use stock part.

5. Cover cap spring - not included in some kits. Use stock part.

6. Cover cap washer - not included in some kits. Use stock part.

7. Middle seal

- Harley-Davidson® knucklehead and S&S KN-Series engines – this is a square o-ring. Same seal in all three positions.
- Harley Davidson® panhead, shovel, Harley-Davidson® Evolution® and Twin Cam 88° 96™ and 103™, Milwaukee_Eight® engines and S&S P, SH, V, and T-Series engines – the smaller diameter of the thinner o-rings provided in the kit

8. Lower pushrod cover

9. Lower pushrod seal.

- Harley-Davidson® knucklehead and S&S KN-Series engines – this is a square o-ring. Same seal in all three positions.
- Harley Davidson® panhead, shovel, and S&S P, SH-Series engines – This is a quad seal
- Harley-Davidson® Evolution® and Twin Cam 88° 96™ and 103™, Milwaukee-Eight® engines, and S&S V, and T-Series engines – the larger diameter of the thinner o-rings provided in the kit

10. Bottom cover washer – All Harley Davidson® Evolution® big twins and S&S V-Series engines, 1986-'90 Sportster® models, and all S&S SB-Series engines. (may not be included in S&S pushrod cover kit)

