

Items Supplied >

- 1 – RIGHT MUFFLER ASSEMBLY
- 1 – LEFT MUFFLER ASSEMBLY

Application >

HARLEY:
DRESSER 95-16

Instruction Manual >

6020

Page 1 of 1

Read all instructions carefully and completely before installing your new slip-on mufflers

1. Remove the saddlebags carefully.
2. Remove and save the mounting hardware securing the mufflers to the brackets. Loosen the stock muffler clamps then pull the stock mufflers free from the headpipes. Save the stock clamps because they will be reused.
3. Slide the stock clamps over the slip-on mufflers and position them as shown in **Figure 1** with the hex head facing the ground.
4. Slide the mufflers onto the headpipes (Cobra logo facing outward) until the mounting holes align. Fasten the mufflers using the stock mounting hardware in the same manner as stock but **do not tighten**. Verify that the gap, where the mufflers meet the stock heatshields, is similar to the gap the stock mufflers allotted.
5. Check all clearances and alignments then tighten the clamps. (NOTE: The muffler clamps should be flush with the end of the muffler when tightened. See **Figure 2**. If the muffler clamps are slid forward past the slots on the slip collar the clamps will not tighten the mufflers properly. Also, make sure the clamp spacer is not over the slots. The slots need to be covered by the clamp band so that it seals the slots properly. Rotate the clamp if necessary). Tighten the mounting bolts to factory specifications.
6. Reinstall saddlebags carefully.
7. NOTE: The exhaust tips may be loosened and oriented to various positions for different visual effects.
8. **IMPORTANT:** Before starting your engine remove all fingerprints from chrome with a quality wax or chrome polish. Failure to do so can cause discoloration. Due to fluctuations in fuel delivery settings, timing, etc., Cobra Engineering does not warrant against chrome discoloration.

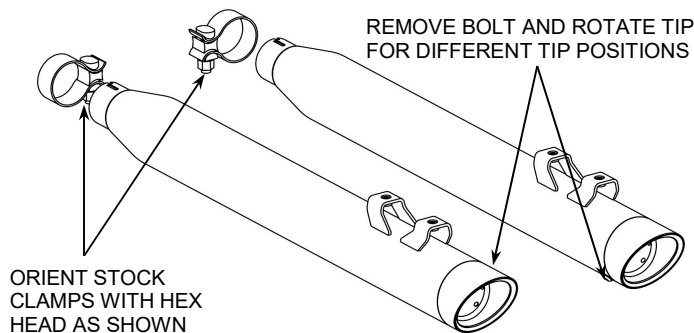


FIGURE 1

POSITION OF MUFFLERS AND MOUNTING BRACKETS SHOWN ABOVE MAY VARY FROM ACTUAL APPLICATION

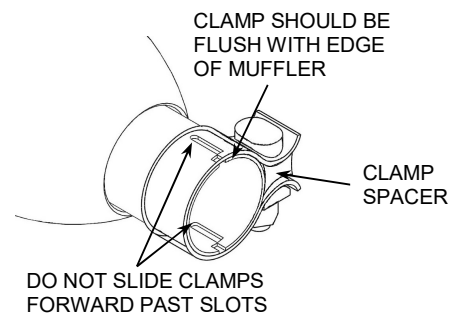


FIGURE 2

REPLACEMENT E-GLASS PACKING AND OPTIONAL 1/4" QUIET CORES CAN BE PURCHASED THROUGH YOUR DEALER OR ONLINE AT WWW.COBRAUSA.COM

DISCLAIMER: NOT LEGAL FOR SALE OR USE IN CALIFORNIA ON ANY POLLUTION CONTROLLED MOTOR VEHICLES.