

## Items Supplied >

- 1 – FRONT HEADPIPE
- 1 – FRONT HEATSHIELD
- 1 – REAR HEADPIPE / MUFFLER ASSEMBLY
- 1 – REAR HEATSHIELD
- 1 – EXHAUST MOUNT BRACKET
- 4 – HOSE CLAMPS HS-24
- 2 – HOSE CLAMPS HS-28
- 1 – CLAMP, 27-61MSC
- 2 – BOLT, 5/16"-18 x 5/8" HEX FLANGE W/ LOCK PATCH
- 2 – BOLT, 3/8"-16 x 3/4" HEX FLANGE W/ LOCK PATCH

## Application(s) >

HARLEY:  
FXSB - BREAKOUT 2013 - 2014

## Instruction Manual >

6226

Page 1 of 2

**PRIOR TO INSTALLATION, MAKE SURE YOUR STOCK HEADPIPE GASKETS ARE IN GOOD SHAPE. IF YOU HAVE ANY DOUBTS AS TO THEIR CONDITION, REPLACE THEM.**

**Read all instructions carefully and completely before installing your new exhaust system**

1. Unbolt the seat and remove the plastic battery cover. Disconnect the positive and negative battery terminals and remove battery from motorcycle.
2. To remove the rear O<sub>2</sub> sensor unplug the factory O<sub>2</sub> connector from the main wiring harness located in front of the battery, see Figure 1. This will release the O<sub>2</sub> sensor connector under the oil tank.
3. On the front of the motorcycle remove the 2 Allen bolts that secure the voltage regulator bracket to the frame, and remove the rectangular cover over the top of this bracket. Ease the voltage regulator forward just enough to unplug the front O<sub>2</sub> connector.
4. Remove stock exhaust system. Remove and save the flanges, flange nuts, retaining rings and O<sub>2</sub> sensors from the stock headpipes.
5. Install the exhaust mount bracket on the motorcycle using the two supplied 3/8" bolts. See Figure 2. **DO NOT TIGHTEN.**
6. Remove the flanges, retaining rings and O<sub>2</sub> sensors from the stock headpipes and install on Cobra headpipes. Leave stock gaskets in the cylinders but check their condition and replace if needed.
7. Install the front headpipe onto the front cylinder using two stock nuts from Step 1. **DO NOT TIGHTEN** at this time.

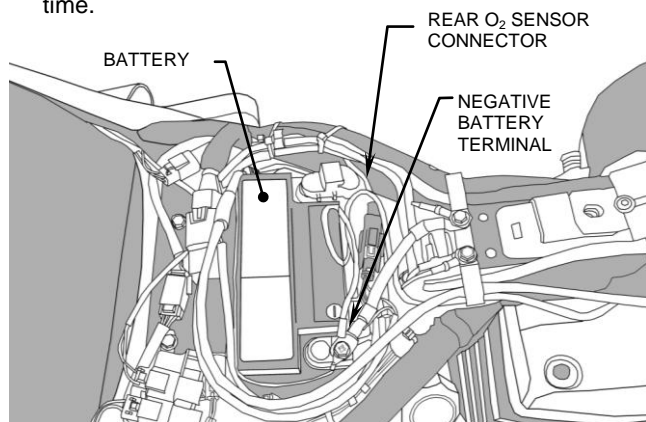


FIGURE 1

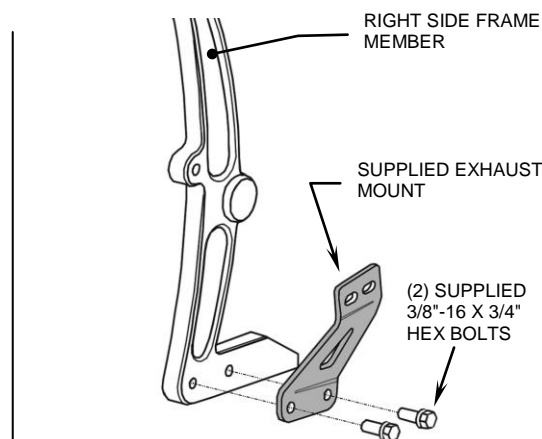
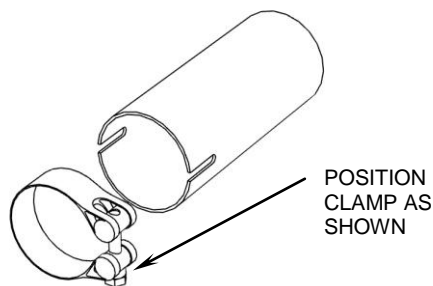


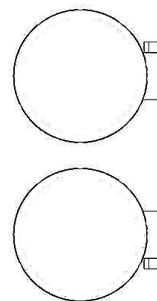
FIGURE 2

**\* Cobra® recommends you always wear a helmet while riding. Please never operate your motorcycle while under the influence of alcohol and/or drugs. Enjoy the new look of your motorcycle and please ride safely.**

8. Place the supplied 27-61msc clamp onto the lower muffler inlet then slide the rear headpipe / muffler assembly onto the front headpipe and into the rear exhaust port. Bolt rear headpipe onto the rear cylinder using the stock nuts from Step 1 but **DO NOT TIGHTEN**. See Figure 3 for clamp orientation.
9. Bolt the muffler assembly to the exhaust mount using the supplied 5/16" bolts. **DO NOT TIGHTEN**.
10. Make sure the front headpipe is inserted properly into the rear assembly. Tighten the following in order; exhaust mount to the frame, then the flange nuts securing the exhaust flanges (slowly tighten opposing nuts), followed by the muffler to the exhaust mount. Tighten the 27-61msc clamp last. (NOTE: If the muffler clamp is slid past the slots on the muffler slip the clamp will not tighten properly)
11. Plug O<sub>2</sub> sensor connectors back into motorcycle wire harnesses.
12. Unscrew all supplied hose clamps and feed the tail end of the clamp through the clips on the inside of the heatshields; the larger clamps go to the rear of the heatshields where they will rest on the muffler bodies, smaller ones to the front for the headpipes. The screw end of the hose clamp should be accessible for tightening but not visible when heatshields are mounted to the pipes, see Figure 4.
13. To install the front heatshield, first slide the rear portion of the heatshield over the muffler body, continue to slowly slide it forward pushing the front of the shield gently into place between the frame and motor (Hint: Spread the hose clamps apart slightly to make it easier to slide them over the muffler assembly and headpipes). Make sure the muffler clamp doesn't interfere with the heatshields and is aligned as shown in Figure 3. Snug the heatshield clamps but **DO NOT TIGHTEN**.
14. Install the rear heatshield in the same manner as the front heatshield. Make sure heatshields are properly aligned then tighten all hose clamps.
15. Reinstall the regulator and cover and tighten bolts to factory specifications. Reinstall battery and be sure no wires are crimped as the battery is install, be sure terminals have proper polarity.
16. Make sure one last time all the hardware (brackets, headpipes, heatshields, and mufflers) has been tightened appropriately and cleaned before starting your motorcycle.



**FIGURE 3**  
(FRONT VIEW)



**FIGURE 4**  
(FRONT VIEW)

**IMPORTANT:** It is recommended that you install a Cobra Fi2000® Digital Fuel Processor with your Cobra exhaust system; **Cobra Part #692-1617AT, #692-1617CL and Part #692-1617CL-50 for California models.** Cobra is not responsible for the performance of any other fuel management system used with Cobra exhaust systems.

\* **Before starting your engine remove all fingerprints from chrome with a quality wax or chrome polish. Failure to do so can cause discoloration. Due to fluctuations in carburetor settings, timing, etc., Cobra Engineering does not warrant against chrome discoloration.**

California does not allow the use of aftermarket exhaust systems that remove original equipment catalysts, (except for racing use only) unless the Air Resources Board has issued an Executive Order for that system.