



INSTALLATION INSTRUCTIONS

ACCEL Stealth SuperCoils

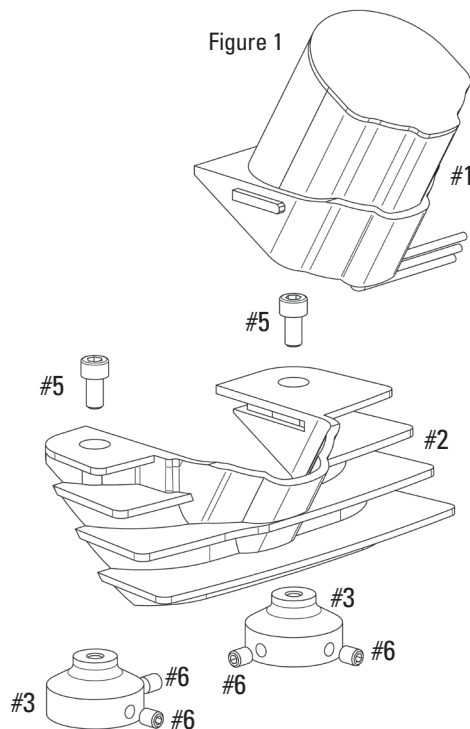
PART NO. 140411NI, 140411NC, 140411BI, 140411BC

Kit numbers 140411NI and 140411BI fits all fuel injected Softail models 2001-2014, all fuel injected Touring models from 2009-2014, and all fuel injected Dyna models from 2006-2014.

Kit numbers 140411NC and 140411BC fits all fuel injected Touring models from 2002-2008. (The only difference is a shorter wiring harness)

Kit Contents (see figure 1)

1. (2) Ignition coil assembly
2. (2) Cast aluminum coil cover
3. (4) Cast aluminum head stud mount
4. (1) Coil extension harness (not shown)
5. (4) Socket head cap screw
6. (8) Set screw
7. (1) Blue thread lock (not shown)
8. (4) Cable ties (not shown)
9. (1) 3/32" hex key wrench (not shown)
10. (1) 5/32" hex key wrench (not shown)



INSTRUCTIONS

1. Remove the seat and fuel tank and disconnect the negative (black) battery cable from the battery.
2. Unplug the stock ignition coil and wires and completely remove them from the bike. **NOTE: On 2009 and newer Touring models you will need to remove the battery to access the stock ignition coil.**
3. Apply a small amount of the supplied blue thread lock to the (8) set screws and loosely install (2) set screws into each of the (4) cast aluminum head stud mounts.
4. Place the cast aluminum head stud mounts on top of the 4 exposed head studs and fasten the set screws securely using the provided 3/32" hex key wrench (figure 2 on pg 2).
5. Install one ignition coil assembly into the cast aluminum coil cover by matching up the tabs on the coil with the slots in the coil cover (figure 3 on pg 2). Route the coil wires through the notch on the side of the coil cover (figure 4 on pg 2). Repeat process for remaining coil and coil cover.
6. Install the front coil and cover assembly directly onto the front spark plug and head stud mounts. **NOTE: The front and rear coil covers are different and can easily be identified by the location of the notch (figure 4 on pg 2). The notch on the front cover should face the rear of the bike and the notch on the rear cover should face the front of the bike.** Route the coil wires loosely between the fins of the cylinder head adjacent to the notch in the coil cover continuing up between the cylinders.
7. Apply a small amount of the supplied blue thread lock to the (4) socket head cap screws. Insert the socket head cap screws through the hole in the top of the coil cover, align with threaded hole in the top of the head stud mount and fasten securely using the supplied 5/32" hex key wrench.
8. Repeat steps 6 and 7 with the remaining rear coil and cover assembly.
9. Connect the 4-pin plug on the supplied coil extension harness to the coil connector on the bikes wiring harness. Route the coil extension harness along the backbone of the frame so that the two coil connectors (labeled front cyl/rear cyl) drop down between the cylinders behind the throttle body. Secure the coil extension harness to the backbone of the frame using the supplied cable ties.
10. Connect the coil harness from the front cylinder to the connector on the coil extension harness labeled "Front cyl". Connect the coil harness from the rear cylinder to the connector on the coil extension harness labeled "Rear cyl".
11. Installation of the ACCEL Stealth SuperCoils is now complete. Reconnect your negative battery cable, reinstall your tank and seat, and let's ride!

Figure 2



Figure 3

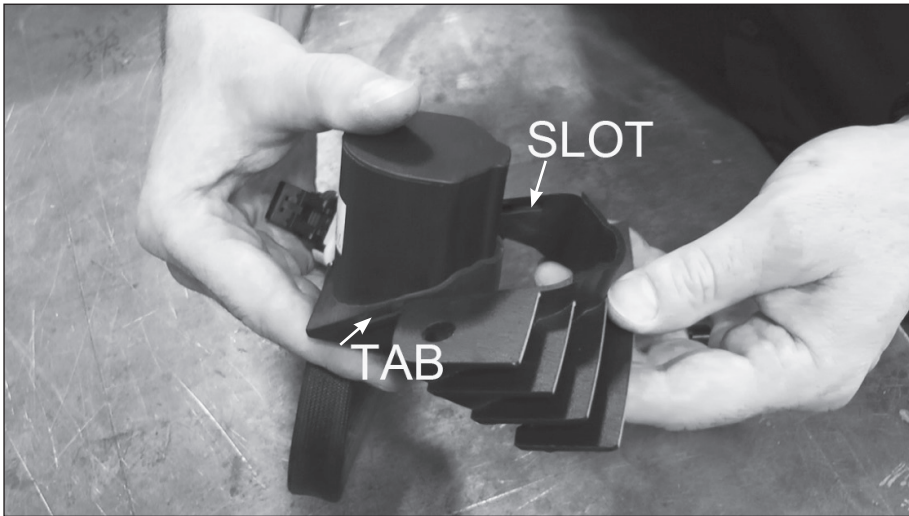


Figure 4

