

Kit Contents		
Description	Part No	Pcs
Main spring	08421-13	2
Spacer	21803-01	2

⚠ Warning!

Only approved Öhlins personnel are permitted to install this kit. The procedure requires specific tools. This product is an important part of the vehicle and the vehicle stability.

👁 Note!

Before you install this product, check the kit contents. If anything is missing, please contact an Öhlins dealer.

⚠ Warning!

After you have installed the Öhlins product, take a test ride at low speed to ensure that the vehicle has maintained stability.

Lowering kit 25 mm for FKC 101

08865-01

Mounting Instructions

MOUNTING INSTRUCTIONS

Make sure you choose the correct spring for your rider weight, driving style and preferences. Contact an authorized Öhlins service center for advice.

⚠ Warning!

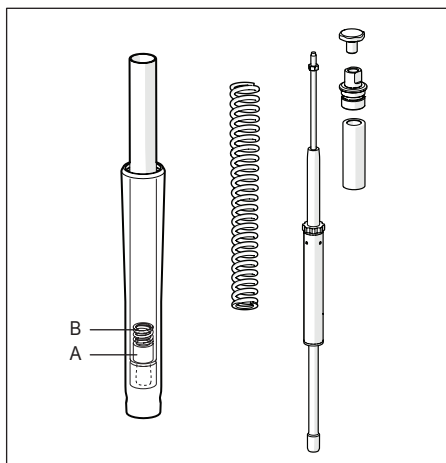
An incorrect spring rate can give a faulty front geometry leading to under or over steering and seriously affect the ground clearance and vehicle handling.

Install the spring and the spacer

The procedure requires specific tools and knowledge.

The procedure in short:

Remove the cartridge and the original spring. Install the spacer (21803-01) (A) and the top out spring (B) in the fork leg. *Make sure to install them in the correct order.* Install the spring and the cartridge.



To install together with a new FKC101 kit:

See the *Mounting Instructions for FKC101*.

To replace current main spring in already installed FKC101 kit:

See the *Workshop Manual for Öhlins Front Fork Cartridge Kit FKC 100-series*.

⚠ Warning!

The procedure requires specific tools and knowledge. If you have any questions contact an authorized Öhlins service center for advice.

This page intentionally left blank

SETUP DATA

Öhlins Front fork fluid	01309-xx	
Recommended oil level	80	mm

Öhlins products are subject to continuous improvement and development, therefore, although these instructions include the most up-to-date information available at the time of printing, minor updates may occur.

To find the latest information contact an Öhlins distributor. Please contact Öhlins if you have any questions regarding the contents in this document.

Part no. MI_08865-01_0
Issued 2014-04-16

© Öhlins Racing AB. All rights reserved. Any reprinting or unauthorized use without the written permission of Öhlins Racing AB is prohibited.

Öhlins Racing AB
Box 722
S-194 27 Upplands Väsby, Sweden
Phone +46 8 590 025 00
fax +46 8 590 025 80



www.ohlins.com