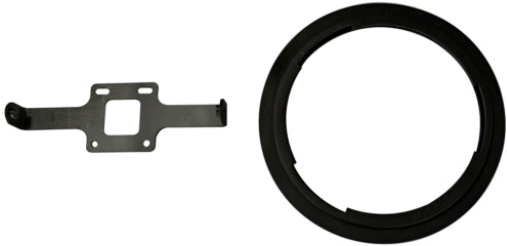


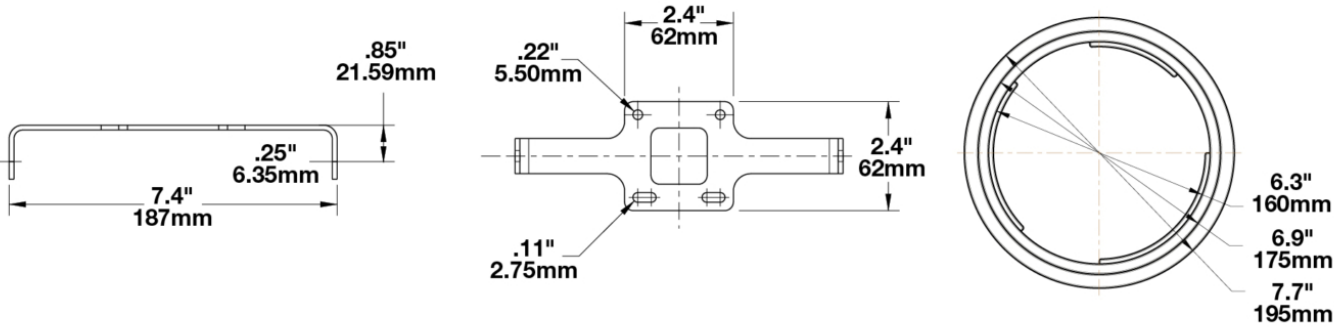
Motorcycle 7" Headlight Conversion Kit for Yamaha & Kawasaki Bikes (PAR56)

PRODUCT INFORMATION

Description	Motorcycle 7" Headlight Conversion Kit for Yamaha & Kawasaki Bikes (PAR56)
Product Weight	0.47 lbs / 0.21 kgs
Shipping Weight	0.75 lbs / 0.34 kgs



PRODUCT DIMENSIONS



Print date: 2023-01-26

© 2023 J.W. Speaker Corporation • Germantown, WI U.S.A.
www.jwspeaker.com • speaker@jwspeaker.com • 262.251.6660



Motorcycle 7" Headlight Conversion Kit for Yamaha & Kawasaki Bikes (PAR56)

REGULATORY STANDARDS COMPLIANCE



Buy America Standards



Eco Friendly

APPLICATIONS



INSTALLATION & APPLICATION INFORMATION

Select 2002-2018 Yamaha & 2000-2018 Kawasaki motorcycles

ADDITIONAL INFORMATION

Kit Includes:

- (1) - 87X0 Bracket
- (1) - 87X0 Rubber Ring
- (2) - M5x16 Screw
- (4) - M4x20 Screw
- (8) - Metal Washer

Tools Required:

- Phillips Screwdriver
- 4mm hex wrench
- 2.5mm hex wrench

PRODUCT WARNINGS

For California residents:

⚠️ WARNING: Cancer and reproductive harm - www.P65Warnings.ca.gov.

⚠️ AVERTISSEMENT: Cancer et effet nocif sur la reproduction - www.P65Warnings.ca.gov.

Print date: 2023-01-26

© 2023 J.W. Speaker Corporation • Germantown, WI U.S.A.
www.jwspeaker.com • speaker@jwspeaker.com • 262.251.6660

Motorcycle 7" Headlight Conversion Kit for Yamaha & Kawasaki Bikes (PAR56)

SUITS THESE PRODUCTS



**Adaptive Headlight
Mounting Kits for
Kawasaki and
Yamaha Motorcycles**

Motorcycle Conversion
Kit - Model 610

Print date: 2023-01-26

© 2023 J.W. Speaker Corporation • Germantown, WI U.S.A.
www.jwspeaker.com • speaker@jwspeaker.com • 262.251.6660